

## Precision Linear Transducers, Designed for Mounting in Hydraulic or Pneumatic Cylinder, Conductive Plastic (Sealed Series/Ø 10 mm)



### FEATURES

- Large range of strokes from 25 to 500 mm
- High accuracy
- Very good repeatability
- Continuous resolution
- Easy mounting



This sensor is to be installed in the high pressure chamber of small cylinders and is equipped with glass-sealed electrical outputs.

ELECTRICAL SPECIFICATIONS	
Theoretical Electrical Travel (TET) = E	From 25 mm to 500 mm in increments of 25 mm
Independent Linearity (over TET) On Request	$\leq \pm 1 \%$ ; $\leq \pm 0.1 \%$ $\leq \pm 0.05 \%$ if $E \geq 100$ mm $\leq \pm 0.025 \%$ if $E \geq 200$ mm
Actual Electrical Travel (AET)	TET + 6 mm $\pm$ 0.5
Total Resistance $R_T$	150 $\Omega$ /cm
Resistance Tolerance at 20 °C	$\pm 20 \%$
Repeatability	$\leq 0.01 \%$
Maximum Power Rating	0.05 W/cm at 70 °C, 0 W at 125 °C
Wiper Current	Recommended: a few $\mu$ A - 1 mA max. (continuous)
Load Resistance	1000 times $R_T$ minimum
Insulation Resistance	> 1000 M $\Omega$ , 500 V <sub>DC</sub>
Dielectric Strength	> 300 V <sub>RMS</sub> at 50 Hz

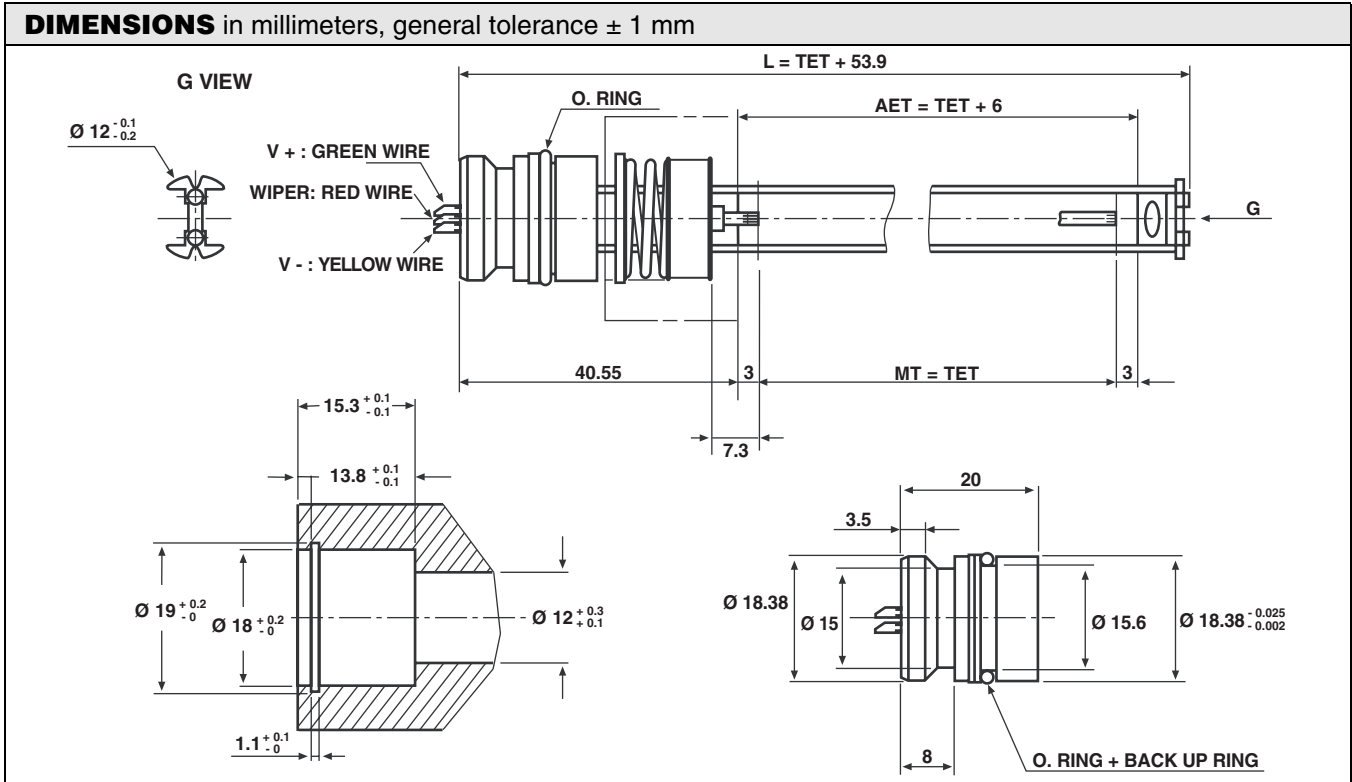
MECHANICAL SPECIFICATIONS	
Mechanical Travel (MT)	MT = TET
Body	Anodized aluminum
Rod Internal Diameter	Ø 12 mm
Support	Stainless steel
Operating Force	1 N typical
Sealing	Glass-sealing on electrical outputs
Electrical Outputs	Wires AWG 26 L = 300 mm
Oil	Insulating mineral hydraulic
Pressure	300 bars continuous, 1000 bars accidentally
Wiper	Precious metal multifinger

PERFORMANCE	
Life	25 million cycles typical/1 Hz/T° = 20 °C $\pm$ 5 °C/80 % TET
Temperature Limits	- 20 °C to + 80 °C
Speed at 20 °C	1.5 m/s max.

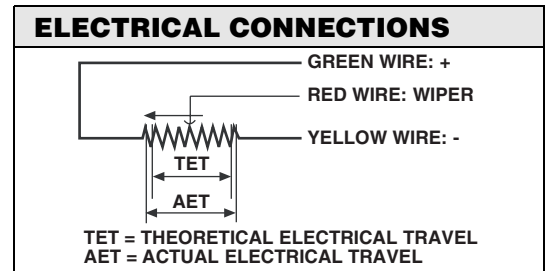
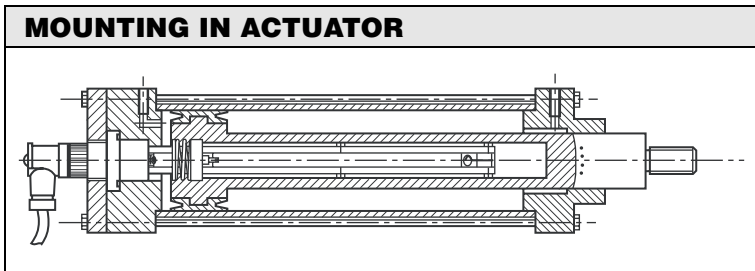


Precision Linear Transducers, Designed for Mounting  
in Hydraulic or Pneumatic Cylinder, Conductive Plastic  
(Sealed Series/Ø 10 mm)

Vishay Sfernice



General Tolerance:  $\pm 1$  mm



**ORDERING INFORMATION/DESCRIPTION**

REC	10	LA	4	D	152	W...	e.
SERIES	MODEL	TYPE	THEORETICAL ELECTRICAL	LINEARITY	RESISTANCE	MODIFICATIONS	LEAD FINISH
		Sealed	Times 25 mm	A: $\leq \pm 1\%$ D: $\leq \pm 0.1\%$ E: $\leq \pm 0.05\%$ F: $\leq \pm 0.025\%$	First 2 digits are significant numbers 3rd digit indicates number of zeros	Special feature code number	

**SAP PART NUMBERING GUIDELINES**

RE	10 LA	4	D	152	W...
SERIES	MODEL	TET	LINEARITY	OHMIC VALUE	SPECIAL FEATURES



## Disclaimer

All product specifications and data are subject to change without notice.

Vishay Intertechnology, Inc., its affiliates, agents, and employees, and all persons acting on its or their behalf (collectively, "Vishay"), disclaim any and all liability for any errors, inaccuracies or incompleteness contained herein or in any other disclosure relating to any product.

Vishay disclaims any and all liability arising out of the use or application of any product described herein or of any information provided herein to the maximum extent permitted by law. The product specifications do not expand or otherwise modify Vishay's terms and conditions of purchase, including but not limited to the warranty expressed therein, which apply to these products.

No license, express or implied, by estoppel or otherwise, to any intellectual property rights is granted by this document or by any conduct of Vishay.

The products shown herein are not designed for use in medical, life-saving, or life-sustaining applications unless otherwise expressly indicated. Customers using or selling Vishay products not expressly indicated for use in such applications do so entirely at their own risk and agree to fully indemnify Vishay for any damages arising or resulting from such use or sale. Please contact authorized Vishay personnel to obtain written terms and conditions regarding products designed for such applications.

Product names and markings noted herein may be trademarks of their respective owners.